

Par-Kut International, Inc.

Phone: (586) 468-2947
Fax: (586) 463-6059
40961 Production Drive
Harrison Township, MI 48045



Quote

No.: **22396**
Date: 9/22/2020

Prepared for:

Prepared by: Gary S. Hurst
Account No.: 32247

STOCK WHITE PMC SHELTER
PK # 20-188
U.S.A.

Quantity	Part Number	Description	UOM	Discount	Sell	Total
1		Par-Kut 2ft-6in x 2ft-6in Pay Machine Shelter with 6in Fascia	EA	\$0.00	\$3,450.00	\$3,450.00
					Your Price:	\$3,450.00
					Total:	\$3,450.00

Prices are firm until 10/22/2020 Terms: 20% down, bal net 30

Prepared by: Gary S. Hurst, ghurst@parkut.com

Date: 9/22/2020

Est. lead time for production 3 - 5 working weeks after receipt of purchase order, color selection, & drawing approval. Lead times subject to change

- Par-Kut Model PK22SHLT-Stock - Consisting of:
- Size 2ft-6in x 2ft-6in Pay Machine Shelter with 6in Fascia
- Single Unit Welded Galvanized Steel
- Canopy 10in Extended Front - 3in On 3 Sides
- Roof Scupper & Downspout
- 7ft Grade to Finished Ceiling Height
- 4in Deep Insulated Double Pan Roof
- Clear 1/4in Tempered Safety Glass - 3 Sides
- 7in Opening on bottom from Grade
- Pre Drilled Anchoring Clips welded to Structure
- Lifting Rings in Roof

Accepted by: _____ **Date:** _____

Disclaimer

Thank you for requesting this quotation. The price quoted above does not include offloading, onsite work, installation, supervision, electric hook up, sales tax, engineering calculations, or architectural drawings. Our standard shop drawings will be provided upon receipt of written Purchase Order. The securing of building permits and compliance with appropriate building codes is the responsibility of the purchaser of the building. This quotation excludes any materials not specifically identified within. No provisions for liquidated damages or indemnification of others is included. As a material supplier, Par-Kut is not subject to the general or specific conditions of the contract documents. Shipping terms are F.O.B - Factory. If completed booths require storage at Par-Kut factory for more than 2 weeks, weekly storage charges will apply.

One year warranty on building material and appliances only, unless otherwise noted.

Installation Suggestions:

1. Pour concrete island minimum 6" deep- reinforced. The island should be a minimum of 12" wider than the roofline dimensions to allow a 6" concrete border on each side of the building roofline. Level the pad and install a steel pipe bollard at each corner of the building to further protect it from damage caused by traffic.
2. Provide three wire 240v/110v single phase service to the concrete island (typical).
3. Buildings arrive flatbed truck. Driver will contact you 24 hours prior to delivery to arrange for off - loading. Use either a forklift

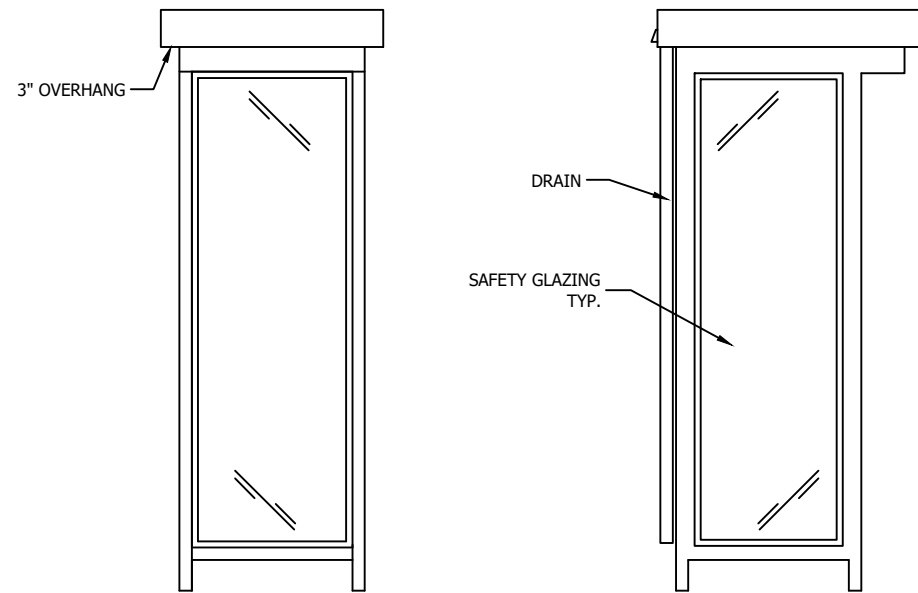
Quote

No.: **22396**

Date: 9/22/2020

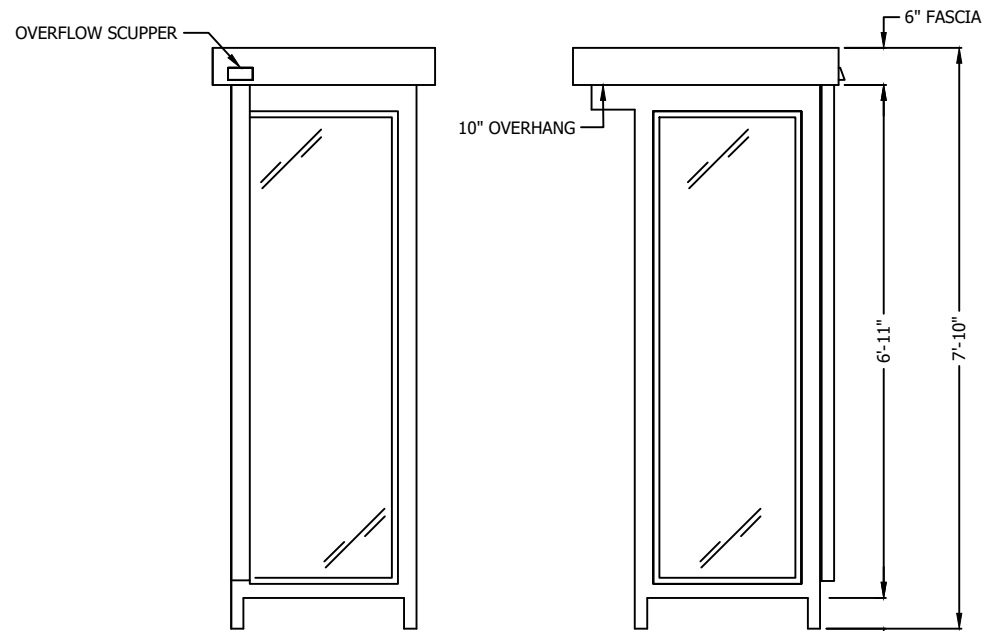
truck or overhead crane to offload the building, depending on configuration - confirm method prior to shipment. Square the building on the pad, shim if required and anchor.

4. Standard recommended concrete anchor bolts are 5/8" x 4-1/2" galvanized or stainless steel, or comply with local codes - whichever is most stringent.
5. Make final electrical connections and clean the work area.



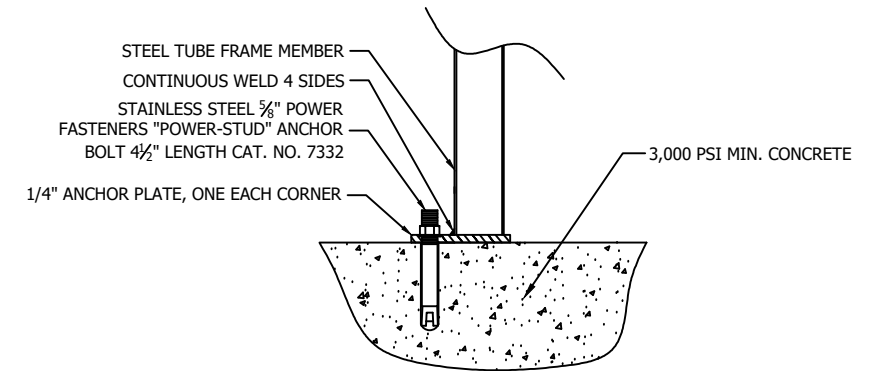
E1 ELEVATION
OPEN SIDE

E2 ELEVATION



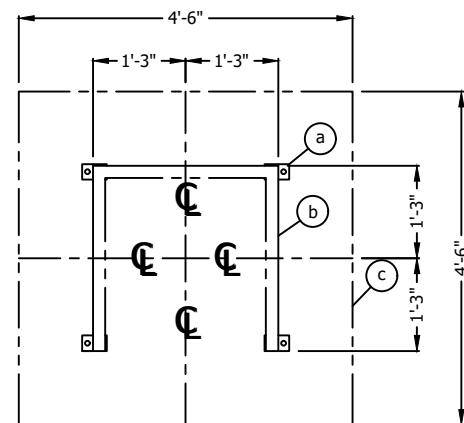
E3 ELEVATION

E4 ELEVATION



FIELD DRILLED ANCHOR BOLT DETAIL
NO SCALE

THIS DRAWING IS FOR REFERENCE PURPOSES ONLY. PAR-KUT BUILDINGS MUST BE SECURELY ANCHORED IN PLACE AND MUST BE PROPERLY GROUNDED. ADEQUATE SIZED ANCHOR BOLTS SHALL BE USED. THE SIZE AND DEPTH OF THE ANCHORS SHOULD BE OF SUFFICIENT DESIGN TO WITHSTAND THE HIGHEST RECORDED WIND SPEEDS/SEISMIC DESIGN CATEGORY IN THE AREA OF INSTALLATION. CONSULT A PROFESSIONAL ENGINEER FAMILIAR WITH THE WEATHER CONDITIONS IN THE AREA.



ANCHOR BOLT LAYOUT

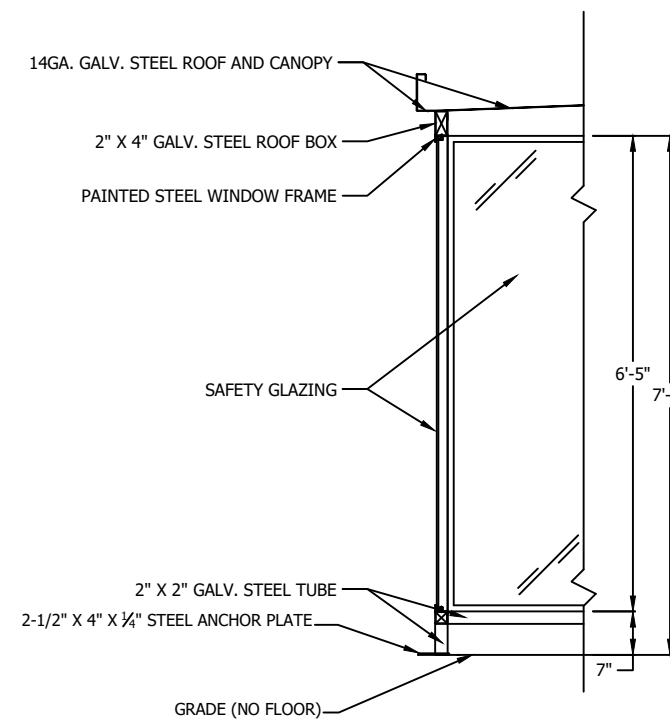
- 2-1/2" X 4" X 1/4" (MIN) STEEL ANCHOR PLATE WITH A 3/4" ANCHOR BOLT HOLE, 4-REQ'D. ONE EACH CORNER. ANCHOR BUILDING AFTER FINAL LOCATION. ANCHOR BOLTS NOT INCLUDED.
- OUTER EDGE OF SHELTER.
- SUGGESTED MINIMUM FOUNDATION/SLAB.

GENERAL SITE INSTALLED ITEMS PROVIDED BY OTHERS

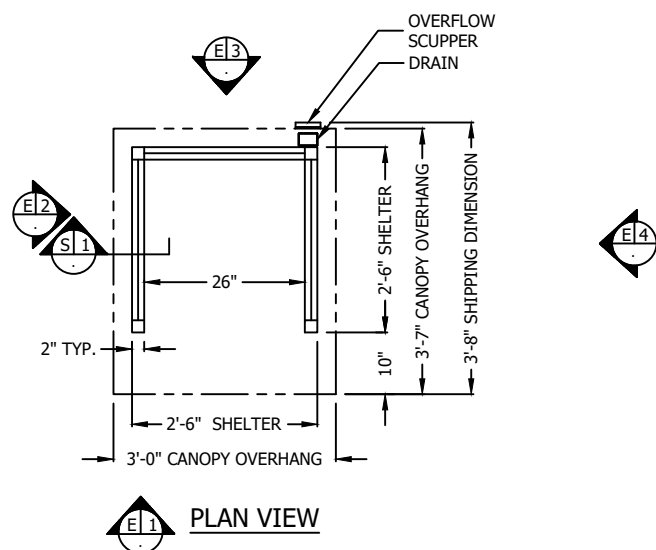
- CONCRETE FOUNDATION/SLAB MINIMUM 6" DEEP, 3,000 PSI MINIMUM (28 DAY ACI 318). THE FOUNDATION/SLAB SHOULD BE A MINIMUM OF 24" WIDER THAN THE BUILDING FOOT PRINT DIMENSIONS. THIS IS TO PROVIDE A 12" CONCRETE BORDER ON EACH SIDE OF THE BUILDING.
- ADEQUATE SIZE DRILLED ANCHOR BOLTS. SUGGESTED SIZE: 5/8" X 4 1/2" POWER FASTENERS "POWER STUD" CATALOG #7332.

NOTE: PAR-KUT BOOTHS ARE OF SINGLE UNIT WELDED STEEL CONSTRUCTION, FACTORY ASSEMBLED AND DELIVERED SET UP. FAILURE TO SECURELY ANCHOR BOOTH MAY RESULT IN OVERTURNING OF UNIT AND SERIOUS INJURY TO OCCUPANT.

- GLAZING - CLEAR TEMPERED SAFETY GLAZING SET IN PAINTED STEEL WINDOW FRAMES.
- PAINT - FINISH SHALL BE SINGLE COLOR OF CHOICE UNLESS OTHERWISE SPECIFIED, AXALTA IMRON POLYURETHANE INDUSTRIAL COATING. SHALL BE APPLIED TO ALL EXPOSED METAL SURFACES. THIS EXCLUDES ROOF SURFACE, ANODIZED ALUMINUM WINDOW FRAMES AND ANY STAINLESS STEEL COMPONENTS (IF USED).
- PAY SHELTER WILL HAVE A 3" CANOPY OVERHANG ON THREE SIDES AND A 10" CANOPY OVERHANG ON E-1 SIDE ONLY.
- LIFTING RING(S) ARE PROVIDED ON ROOF.
- NO ON SITE WORK BY PAR-KUT.
- ACTUAL LOCATION OF ELECTRICAL DEVICES MAY VARY DUE TO INSTALLATION CONSTRAINTS, SHIPPING RESTRICTIONS, OR FOR PROPER PLACEMENT TO SATISFY APPLICABLE CODES.



S1 SECTION
NO SCALE



E1 PLAN VIEW

NOTE: THIS PRINT AND DESIGN ARE THE PROPERTY OF PAR-KUT INTERNATIONAL, INC. IT MUST NOT BE REPRODUCED IN ANY MANNER, NOR SHALL IT BE SUBMITTED TO OUTSIDE PARTIES FOR EXAMINATION WITHOUT OUR CONSENT. IT SHALL BE USED ONLY AS A MEANS OF REFERENCE TO WORK DESIGNED AND FURNISHED BY PAR-KUT. PAR-KUT RESERVES THE RIGHT TO MAKE CHANGES TO DESIGN FOR ENGINEERING PURPOSES WITHOUT NOTICE. REVISIONS MAY NOT BE NOTED.

PAR-KUT INTERNATIONAL, INC.
40961 Production Drive
Harrison Twp, Mich.
48045-1351
PH. (586) 468-2947
www.parkut.com



DWG# 20-188 SHEET A-1

STOCK WHITE PMC SHELTER

GENERAL NOTES	
HIGH GLOSS PAINT COLOR:	WHITE #1632
OVERALL SHIPPING DIMENSIONS:	3'-8"W X 3'L X 7'-10"H
ESTIMATED WEIGHT:	500 LBS (+/-)

PO#	DRAWN BY	REVISED
SCALE 3/8"=12"	EJL	
DATE 9-17-2020	SIZE 2'-6" X 2'-6"	QTY 1
CHK'D BY:	SALES REPRESENTATIVE TOM DUEMLING	